

# HEAVY DUTY BRAKE DRUMS



## **Why DAYTON PARTS Heavy Duty Brake Drums:**

Dayton Parts HD brake drums are quality controlled at the start. Most manufacturers buy ingots for production while our supplier has their own foundry to insure the purity of raw materials.

Dayton Parts Heavy Duty Brake Drums are manufactured to SAE casting grade G11H20b & finished with precision craftsmanship.

G11H20b is the SAE Grey Iron Standards for Heavy Brake Drums

### **SAE J431 Rev DEC2000 on G11H20b:**

“Brake drums & clutch plates for heavy service where high carbon & high hardness are both required to minimize heat checking & provide for higher strength.”

# HEAVY DUTY BRAKE DRUMS

## Interchange

Dayton	Meritor	Dura Brake	Gunite	KIC	Webb	Application
HD1	03123207002	16792	3600A	60001-01	66864	Standard
HD1HM	03123365002	16782	-	-	66884B	Heavy Duty Machine Balanced
HD1M	85123207002	16792X	3600AX	60001-018	66864B	Standard Machine Balanced
HD1MX	-	-	-	-	-	Standard Extreme Machine Balanced
HD1SD	-	-	3576	54261-018	-	Standard Heavy Duty
HD2	03122607002	16795	3166	53026-01	66893	
HD3	03122550002	16794	3141	52705-308	66895	
HD4	03122222002	16874	2983C	52230-10	67518	
HD5	03012582002	16290	2705	52020-01	62200	
HD6M	85123254002	14575X	3721AX	54201-108	61528B	
HD6MX	-	-	-	-	-	Standard Extreme Balanced
HD7M	03122683002	16778	3295A	52120-12	68981B	
HD8	03122126002	16390	3018A	52327-10	68730	
HD9	03120743002	16907	8656	51952-11	68897	
HD10	03123430002	16997	2997D	52890-13	62997	
HD11	03120936002	18788	3197	54203-01	61788	
HD12	03120877002	16729	3120	52877-11	60876	
HD13	03120586002	-	2546C	54249-01	68765	
HD14M	85123366002	-	3721X	53075-018	61527B	
HD15	03120754002	-	2577A	51961-10	61780	
HD17M	85123448002	14792X	3800X	54293-018	65548B	
HD18M	-	-	3710X	-	65710B	Ford, Frtlr, KW Mack, Prbilt, West. Star
HD19M	85123399002	-	3687X	54248-018	65152B	
HD20	03123397002	-	3402	54292-01	66873	Mack
HD22	03122963002	-	3174	54215-01	63647	Dana, Meritor, Std Forge
HD23	03123409002	-	3141B	53033-30	66875	Ford, Frtlr, GMC, KW, Ptrblt, Volvo
HD24	-	-	3467B	52511-01	63637	Dana, Meritor, Std Forge
HD26M	-	-	3807X	54229-018	66854B	
HD27	-	12680	3887	54244-01	63680	8-hole, outboard for 12-1/4" brakes
HD28M	-	-	3757X	-	66353B	
HD29M	-	-	3744X	54228-018	61988B	
HD30M	-	-	-	54242-018	65162B	



HD1 Drum

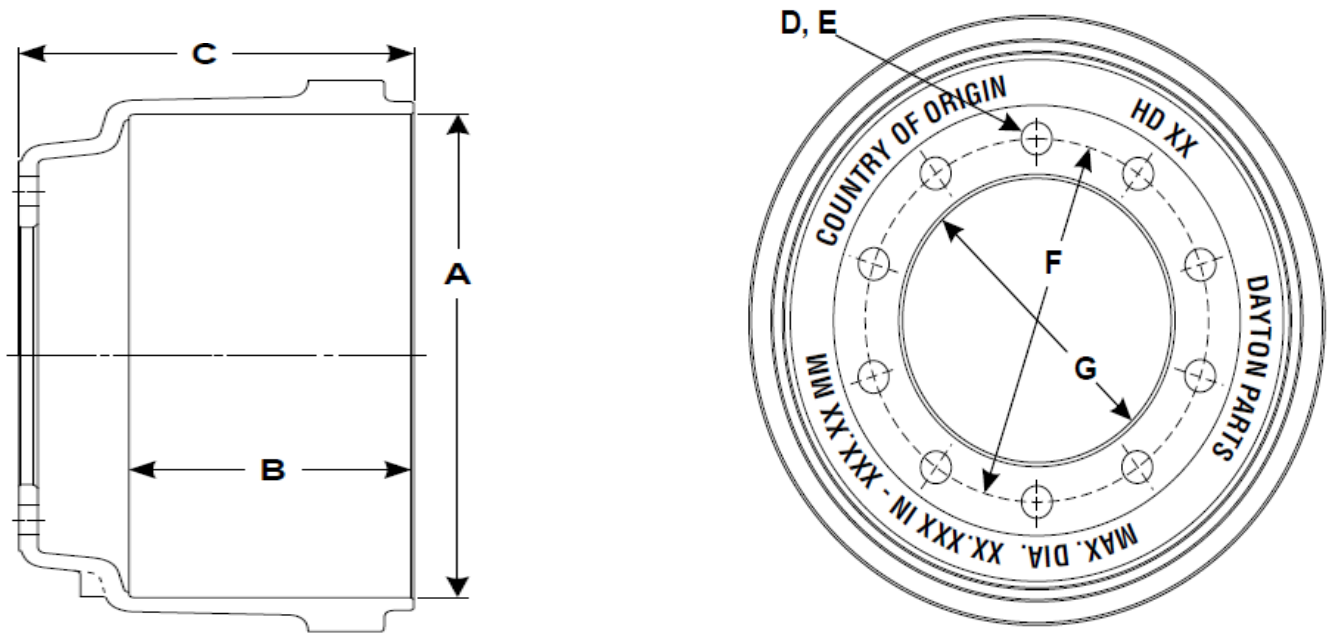


HD1MX Drum

### ***"MX" MACHINE XTREME HD BRAKE DRUM***

Machine Xtreme drums are fully machined inside & out to give you a uniform wall thickness that is otherwise unobtainable. This uniform wall thickness greatly enhances the drums ability to expand & dissipate heat evenly as brake temperature rises. ***PERFECTLY BALANCED!***

# HEAVY DUTY BRAKE DRUMS



Brake	Part No.	Drum Dia. A	Brake Width (B)	Overall Depth (C) (Height)	Bolt Holes (D)	Bolt Hole Size (E)	Bolt Circle (F)	Pilot Diameter (G)	Drum Wgt	Drum Mount
12.25 x 7.50	HD24	12.25	7.81	9.06	6/6	0.66/0.53	8.25	7.00	80.0#	Inboard
12.25 x 7.50	HD22	12.25	8.00	9.07	6	0.66	10.00	8.50	80.0#	Inboard
12.25 x 7.50	HD27	12.25	10.00	11.22	8	1.00	10.83	9.00	83.0#	Outboard
15.00 x 4.00	<b>HD14M</b>	15.00	4.72	8.86	10	1.00	11.25	8.78	80.0#	<b>Outboard</b>
15.00 X 4.00	<b>HD6M</b>	15.00	4.72	8.86	10	1.28	11.25	8.78	77.0#	<b>Outboard</b>
15.00 x 4.00	<b>HD6MX</b>	15.00	4.72	8.86	10	1.28	11.25	8.78	76.0#	<b>Outboard</b>
15.00 X 4.00	<b>HD17M</b>	15.00	4.50	9.04	10	1.28	11.25	8.78	79.0#	<b>Outboard</b>
15.00 x 8.625	<b>HD29M</b>	15.00	9.30	11.90	10	1.00	11.25	8.78	105.0#	<b>Outboard</b>
16.50 x 5.00	<b>HD18M</b>	16.50	5.95	9.04	10	1.28	11.25	8.78	97.0#	<b>Outboard</b>
16.50 X 6.00	<b>HD19M</b>	16.50	6.50	9.75	10	1.31	11.25	8.78	124.0#	<b>Outboard</b>
16.50 X 6.00	<b>HD30M</b>	16.50	6.50	9.75	10	1.00	11.25	8.78	121.0#	<b>Outboard</b>
16.50 x 7.00	HD4	16.50	7.63	8.41	5/6	0.78 / 0.65	11.00	9.44	108.0#	Inboard
16.50 x 7.00	HD5	16.50	7.56	9.50	10	0.84	11.25	9.44	105.0#	Inboard
16.50 x 7.00	HD8	16.50	7.50	8.74	10	0.81	11.25	9.50	113.0#	Inboard
16.50 x 7.00	HD13	16.50	7.50	8.75	5/6	0.81 / 0.65	11.25	9.50	100.0#	Inboard
16.50 x 7.00	HD10	16.50	7.58	8.74	5/6	0.78	12.75	10.50	107.0#	Inboard
16.50 x 7.00	HD15	16.50	7.38	8.44	5/6	0.65	12.50	11.00	101.0#	Inboard
16.50 x 7.00	HD9	16.50	7.31	7.93	6	0.65	12.75	11.00	107.0#	Inboard
16.50 x 7.00	HD7M	16.50	7.41	8.46	5/6	0.78	12.75	11.25	114.0#	<b>Inboard</b>
16.50 x 7.00	HD2	16.50	7.63	10.59	10	0.81	11.25	8.53	115.0#	Outboard
16.50 x 7.00	HD20	16.50	7.30	10.30	10	1.00	11.25	8.78	112.0#	Outboard
16.50 x 7.00	HD1	16.50	7.60	10.62	10	1.00	11.25	8.78	112.0#	Outboard
16.50 x 7.00	<b>HD1HM</b>	16.50	7.60	10.62	10	1.00	11.25	8.78	112.0#	<b>Outboard</b>
16.50 x 7.00	HD1SD	16.50	7.62	10.62	10	1.00	11.25	8.78	118.8#	Outboard
16.50 x 7.00	<b>HD1M</b>	16.50	7.60	10.62	10	1.00	11.25	8.78	107.8#	<b>Outboard</b>
16.50 X 7.00	<b>HD1MX</b>	16.50	7.60	10.62	10	1.00	11.25	8.78	106.8#	<b>Outboard</b>
16.50 x 7.00	<b>HD28M</b>	16.50	7.44	11.18	10	1.00	11.25	8.78	115.0#	<b>BALANCED</b>
16.50 x 7.00	HD23	16.50	7.81	10.62	8	0.97	10.83	9.00	114.0#	Outboard
16.50 x 7.00	HD3	16.50	7.75	10.59	10	0.81	11.25	9.00	105.0#	Outboard
16.50 x 7.00	HD12	16.50	7.52	10.74	10	0.84	11.25	9.44	114.0#	Outboard
16.50 x 8.62	<b>HD26M</b>	16.50	9.12	11.46	10	1.00	11.25	8.78	120.0#	<b>Outboard</b>
18.00 x 7.00	HD11	18.00	7.50	8.24	6	0.64	12.75	11.00	148.0#	Inboard

## Dayton Parts Trailer Hubs/Studs

Hub Application	Dayton Number	Outer Bearing	Inner Bearing	Wheel Stud	Notes
<b>Tapered Spindle long metric stud</b>	<b>11-0654A-76</b>	<b>HM212049</b>	<b>663</b>	<b>13-1577</b>	<b>10 stud – 11.25" bolt circle 8.78" Hub Pilot – uses HD1</b>
<b>Tapered Spindle short metric stud</b>	<b>11-0654A-77</b>	<b>HM212049</b>	<b>663</b>	<b>13-1576</b>	<b>10 stud – 11.25" bolt circle 8.78" Hub Pilot – uses HD1</b>
<b>Tapered Spindle short metric stud</b>	11-0655A-71	HM212049	HM218248	13-1571	8 Stud hub for 12-1/4" brakes
<b>Tapered Spindle long metric stud</b>	11-0655A-72	HM212049	HM218248	13-1572	8 Stud hub for 12-1/4" brakes
<b>Tapered Spindle short metric stud</b>	11-0656A-71	HM212409	HM218248	13-1571	10 Stud hub for 16-1/2" brakes hub pilot wheels
<b>Tapered Spindle long metric stud</b>	11-0656A-72	HM212049	HM218248	13-1572	10 Stud hub for 16-1/2" brakes hub pilot wheels
<b>Tapered Spindle short standard stud LH</b>	11-0656A-73L	HM212049	HM218248	13-1273L	10 Stud hub for 16-1/2" brakes stud pilot wheels
<b>Tapered Spindle short standard stud RH</b>	11-0656A-73R	HM212049	HM218248	13-1273R	10 Stud hub for 16-1/2" brakes stud pilot wheels
<b>Parallel Spindle short metric stud</b>	11-0659A-71	HM518445	HM518445	13-1571	10 Stud hub for 16-1/2" brakes hub pilot wheels 6 bolt 11-0669 hubcap
<b>Parallel Spindle long metric stud</b>	11-0659A-72	HM518445	HM518445	13-1572	10 Stud hub for 16-1/2" brakes hub pilot wheels 6 bolt 11-0669 hubcap
<b>Inboard Mount Drum</b>	11-0600A	HM212049	663	-	Studs not included/installed
<b>Inboard Mount Drum</b>	11-0602A	HM212049	HM218248	-	Studs not included/installed

